



description

Armaş 2000 series hydrocyclons are designed in simple structure to be used in the filtration of well water or other water sources containing sand, gravel or particles heavier than the water. Due to simple structure, it is more economic and easy to use relative to other sand separators. Armaş hydrocyclons causes minimum pressure loss in filtration systems and therefore, they operate at maximum efficiency. Armaş 2000 series hydrocyclons, used as primary filtering element in filtration systems, are provided in single or modular forms which ensure manual or fully automatic cleaning process.

operating principle



Armaş 2000 series hydrocyclons is a separator removing particles heavier than the water before they enter into the system. It is consisted of two main parts including the body and collection container. Water containing particles heavier than the water enters into cylindrical wall found on the body of the hydrocyclon in tangential manner. Water reaches a particular speed in the cylindrical wall and thus, it creates centrifugal force. Due to this centrifugal power, solid particles heavier than water fall down from narrowing conic part of the hydrocyclon and trapped in the collection container. While solid particles heavier than water fall down to collection container due to centrifugal force, clean water free from particles is supplied to the system via outlet pipe. Water reaches desired speed on cylindrical wall due to perfect cylindrical wall and conical body design of the Armaş 2000 series hydrocyclon and thus, water increases efficiency of the filtration as it creates a cycloid orbit.



hydrocyclone (sand separator)

2000 series



In order to get a regular filtration in Armaş 2000 series hydrocyclons, collection container should be regularly monitored and cleaned depending on the water quality. Based on the application type, hydrocyclons are provided in to forms, including manual and automatic, to the users. It is recommended that users prefer automatic model ensuring regular monitoring and cleaning of collection container.

applications

- Filtration of reserve water such as deep well
- Filtration of water containing sand, gravel or particles heavier than water
- Preliminary filtration of gravel, Disc and mesh filters
- Agricultural drip and micro-irrigation systems
- Separation of solid particles larger than mesh diameter of 200.

specifications

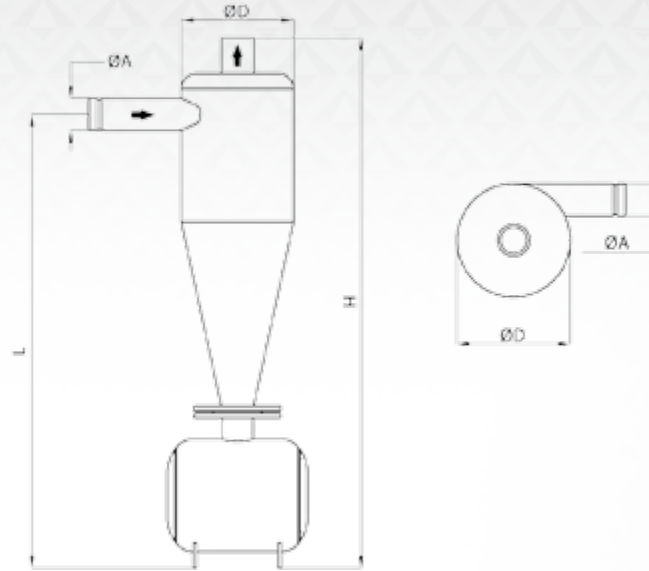
- It provides ease of use and of maintenance due to simple structure.
- Pre-painting phosphorization is performed for maximum resistance against corrosion.
- It has long economic life based on Epoxy – Polyester coating.
- It operates completely based on cyclone principle
- It performs filtration (separation) process with minimum pressure loss.
- Single or modular systems can be used for various application fields with different diameters.
- Two different models are available including manual and automatic.
- Automatic models can perform self-cleaning process without any disruption in water supply.

technical specifications

Recommended Operating Pressure Range	Max. Operating Pressure	Test Pressure	Temperature	Connection	Coating
0.3 – 8 (bar) 4 – 120 (psi)	8 (bar) 120 (psi)	12 (bar) 175 (psi)	- 10 °C – 80 °C (14 °F – 176 °F) DIN 2401 /2	Flanged ISO 7005-2, ANSI Threaded BSPT-NPT Grooved End	1. Phase: Phosphorization 2. Phase: Electrostatic Powdering Polyester - Epoxy



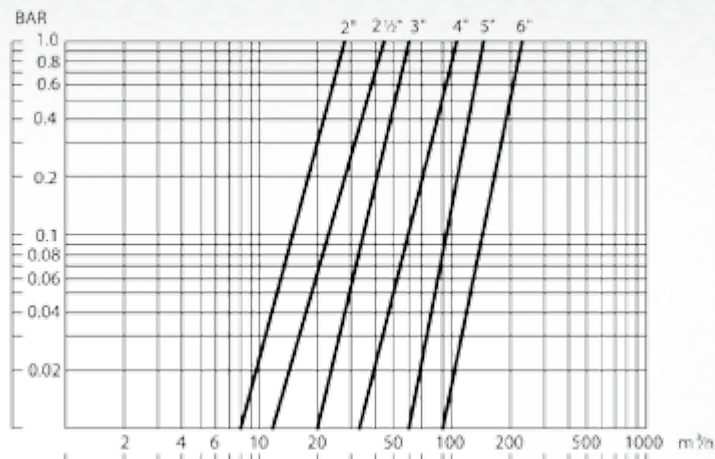
dimension and weight



available models and recommended flow rates

Model	ØA		ØD		H		L		Weight		Recommended Flow Rate	
	mm	inch	mm	inch	mm	inch	mm	inch	kg	Lbs.	m ³ /h	U.S gpm
2050	50	2"	220	8,6"	1100	43,3"	1000	39,4"	20	44	14-18	3,9-5
2065	65	2½"	220	8,6"	1100	43,3"	1000	39,4"	24	53	24-30	6,6-8,3
2080	80	3"	300	11,8"	1420	56"	1260	49,6"	28	62	45-65	12,5-18
2100	100	4"	300	11,8"	1420	56"	1260	49,6"	60	132	70-95	19,4-26,4
2125	125	5"	400	15,7"	1600	63"	1410	55,5"	80	176	105-145	29,2-40
2150	150	6"	400	15,7"	1650	63"	1440	56,7"	82	180	120-165	33,3-45,8
2200	200	8"	640	25,2"	2100	82,6"	1770	69,7"	240	528	200-250	55,5-69,4

head loss chart





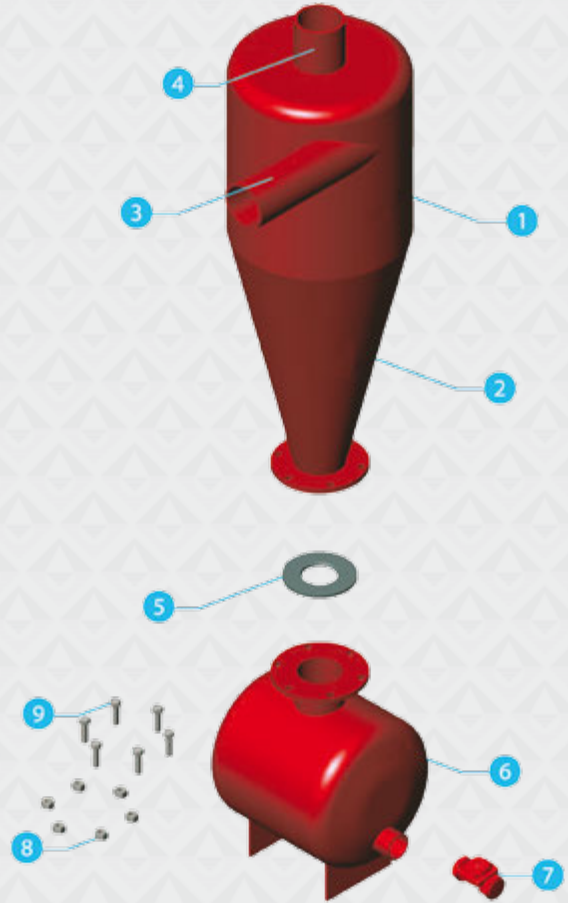
hydrocyclone (sand separator)

2000 series



material list

Part No	Part Name	Material
1	Cylindrical Wall	ST37-2 (DIN 17100)
2	Conic Body	ST37-2 (DIN 17100)
3	Supply Pipe	ST37-2 (DIN 17100)
4	Outlet Pipe	ST37-2 (DIN 17100)
5	Flange O-Ring	NBR/EPDM
6	Collection Container	ST37-2 (DIN 17100)
7	Drainage Valve	GG25 / GGG40
8	Nut	8.8JS-500 STEEL
9	Bolt	8.8JS-500 STEEL



sample order form

Model	Inlet Diameter	Connection	Control Feature
2050	2"	Grooved End (GRO) Threaded (TH) Flanged (F)	Manual (M) Power Controlled (EL) Batter Controlled (BT)
2065	2½"		
2080	3"		
2100	4"		
2125	5"		
2150	6"		

2150	6	VIC	EL
------	---	-----	----